

Terminal Unit Valve Actuators

VA-7090

Thermal 0...10 V Control

The VA-709x series terminal unit valve actuators provides proportional control in HVAC application.

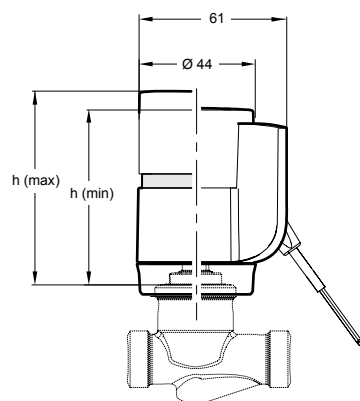
The compact design of these actuators make them suitable for installations in confined spaces, such as fan-coil applications.

The VA-709x actuators are designed for field mounting onto all Johnson Controls terminal unit valves: VG6000, V5000, VP1000 (see pertinent bulletins).

Moreover, thanks to an innovative fixing system, the VA-709x is suitable for almost all the terminal unit valves in the market.

Features

- 24 VAC power supply
- 0...10 V control signal
- NC version (stem retracts when energised)
- NO version (stem extends when energized)
- Easy mounting solution
- Factory mounted cable 2 m



Dimensions in mm

	h (max)	h (min)
Normally Closed	66	59
Normally Open	64	59

Ordering Codes	Supply Voltage	Action Control	Force	Stroke	Factory Setting	Mounting Thread	Protection Class	Packaging	Power Consumption	
									Continuous	Start-up
VA-7090-21	24 VAC	0...10 V	125 N	4.5 mm	Normally Open	M28x1.5	IP54	Single packaged in carton box	2 W	250 mA
VA-7091-21					Normally Closed					
VA-7097-21					M30x1.5	Normally Open				
VA-7098-21						Normally Closed				

Accessories (order separately)

Ordering Codes	Description	Packaging
0550390001	Elevated Bayonet Nut M30x1.5 with normal and short insert	Single packaged in Plastic Bag
0550390101	Elevated Bayonet Nut M28x1.5 with normal and short insert	
0550390201	Elevated Bayonet Nut M30x1 with normal and short insert	