

Electronic Heating Controller

ER65-DRW

Digital Controller Hot Water and Air Unit

The controller is a digital device for domestic or residential heating units.

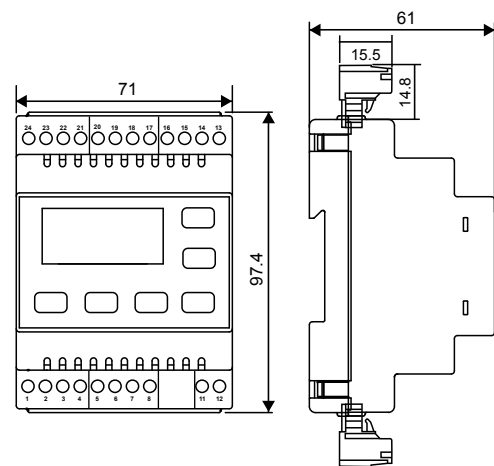
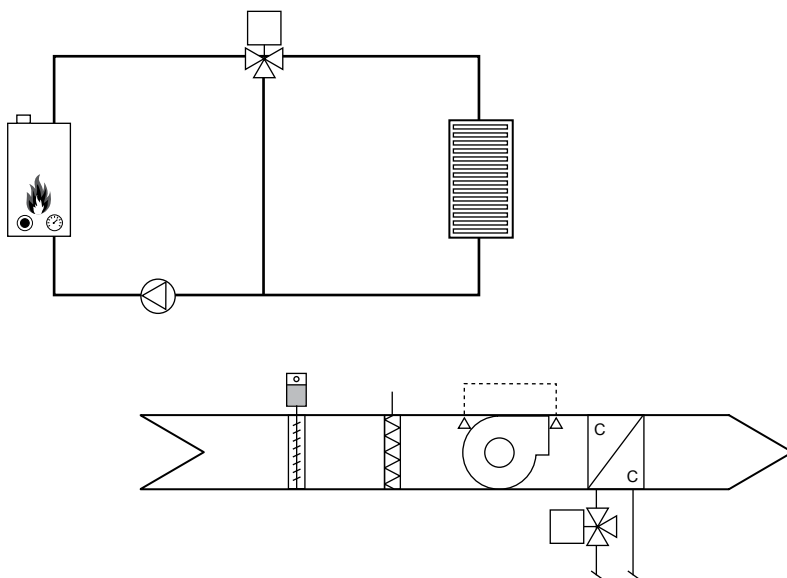
It covers water and air heating applications.

All-in-one design allows full flexibility to apply a single controller to many small heating applications.

The controller incorporates a comprehensive energy saving application, and can be connected to a supervisory system via its on board communications port.

Features

- Standard heating systems
- Compact design: up to 3 sensors, 2 digital inputs and 5 outputs in a 4 DIN modules housing
- Robust front panel for durability and long term use
- Removable plug connectors for quick mounting and wiring
- Direct 230V supply: no external transformer required
- Embedded RS485: no additional communication card required
- Pre-set models and selectable options to extend controller options



Dimensions in mm

Ordering Code

Ordering Code	Description
ER65-DRW-501C	Heating controller, sensor not included, compatible with the ER-NTC sensor line, Modbus communication