



**SABIANA**  
IL CLIMA AMICO

A leading brand of  AFG



# Comfort Circular Unit Heater

**C**OMFORT Sabiana circular unit heaters, for ceiling installation only, are especially suitable for high rooms, even if the optimum ratio between the air flow-rate and the heat output make them suitable for any manufacturing environment. The large coil and the fan downstream of the coil ensure optimum mixing of the air in the environment, meaning less stratification of the hot air than with traditional unit heaters. Two different diffusers ensure perfect control of the air flow, with the possibility on the more common diffusers to tilt each louvre in the desired direction.

**T**he Comfort unit heaters are made in 10 sizes, with heat outputs from 17 to 107 kW, and one or two speeds motors.



## Technical characteristics of the main components:

- The casing is made of spun steel on both top and bottom sections which is designed to give greater strength and quieter operation. The casing is then finished with an epoxy, polyester powder coating of light grey, RAL 9002.
- The circular coil is constructed of copper tubes with aluminium fins.
- The helicoidal fan is statically and dynamically balanced, the rational high-capacity profile provides maximum air volume with a minimum power consumption.
- Standard motors are three phase 230-400 V, closed frame, flange mounted, pre-greased bearings, IP 44. Available with single speed at 4 and 6 pole (1400-900 r.p.m.) or with double speed double wiring at 4/6 or 6/8 pole.



On request: • Flanged connections.

- Steam execution.

## COMFORT identification code

Reference: 6Z-415

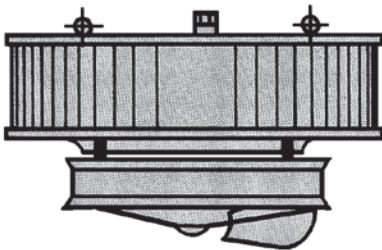
6	Z	4	15
MOTOR 6 POLE (900 r.p.m.)	RANGE COMFORT	SIZE	N° OF CIRCUITS

# "DRA" radial diffuser

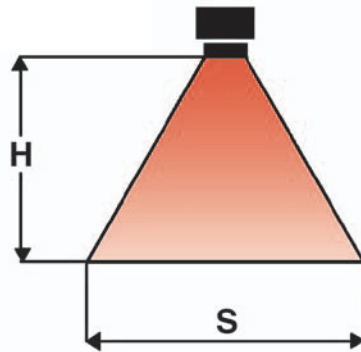


This is the most commonly used model; made of eight separately adjustable large louvers, shaped so as to be able to cover the whole outlet area and therefore adaptable for minimum to maximum heights. This diffuser allows the air to be directed more easily to the areas where it is required most, or conversely, if you do not require air to one particular corner you can close down one, two or three vanes and restrict the distribution.

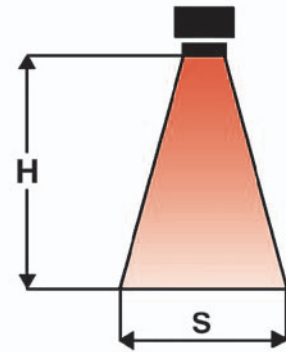
## Mounting heights and area of air distribution



with  
45° LOUVRES



with  
VERTICAL LOUVRES



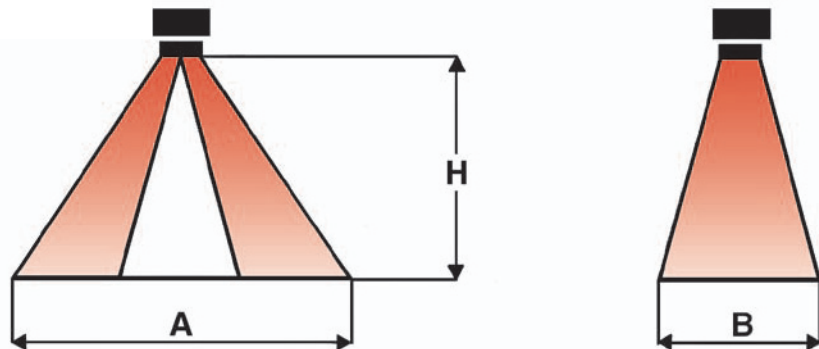
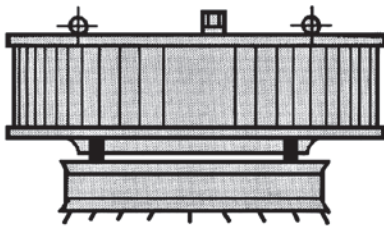
SIZE	1400 r.p.m. MOTOR SPEED				900 r.p.m. MOTOR SPEED			
	45° LOUVRES		VERTICAL LOUVRES		45° LOUVRES		VERTICAL LOUVRES	
	H suggested m	S diameter m	H suggested m	S diameter m	H suggested m	S diameter m	H suggested m	S diameter m
0	3 ÷ 5	15 ÷ 21	4 ÷ 6	7.5 ÷ 10.5	2.5 ÷ 4	10.5 ÷ 16.5	3.5 ÷ 5	6 ÷ 9
1	3.5 ÷ 5.5	16.5 ÷ 21	4.5 ÷ 6.5	9 ÷ 12	3 ÷ 4.5	12 ÷ 18	4 ÷ 5.5	7.5 ÷ 10.5
2	4 ÷ 6	18 ÷ 25.5	5 ÷ 7	10.5 ÷ 13.5	3 ÷ 5	12 ÷ 19.5	4.5 ÷ 6.5	9 ÷ 12
3	4 ÷ 6.5	18 ÷ 27	5.5 ÷ 8	10.5 ÷ 15	3.5 ÷ 5.5	15 ÷ 22.5	5 ÷ 7	9 ÷ 13.5
4	4 ÷ 7	18 ÷ 28.5	6 ÷ 9	10.5 ÷ 16.5	3.5 ÷ 6	15 ÷ 24	5.5 ÷ 8	10.5 ÷ 15
5	-	-	-	-	4 ÷ 6.5	16.5 ÷ 25.5	5.5 ÷ 8.5	10.5 ÷ 15
6	-	-	-	-	4 ÷ 8	16.5 ÷ 28.5	6 ÷ 10	12 ÷ 18
7	-	-	-	-	4 ÷ 8	16.5 ÷ 28.5	6 ÷ 10	12 ÷ 18
8	-	-	-	-	5 ÷ 11	18 ÷ 31.5	6.5 ÷ 14	13.5 ÷ 19.5
9	-	-	-	-	5 ÷ 11	18 ÷ 33	6.5 ÷ 14	13.5 ÷ 21

## "T2" two way diffuser



It is designed to give a two way or corridor distribution, suitable for corridor or gangway areas, between storage racks etc., generally mounted at any height depending upon the length of corridor required.

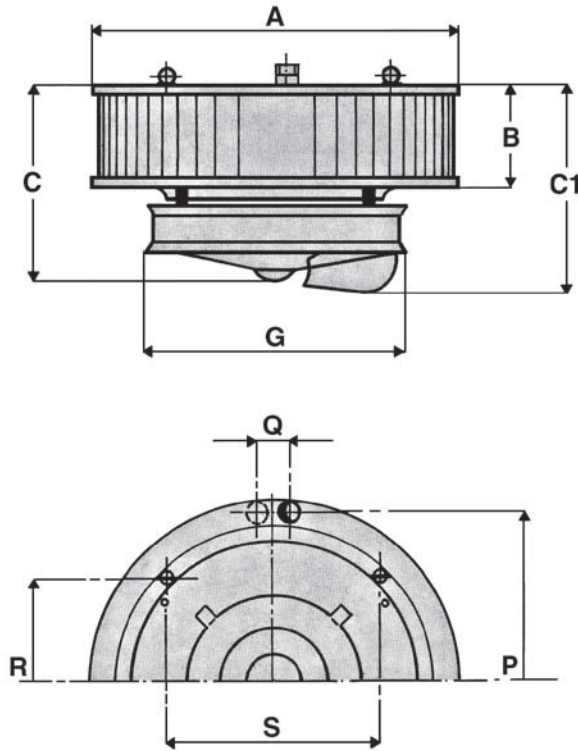
## Mounting heights and area of air distribution



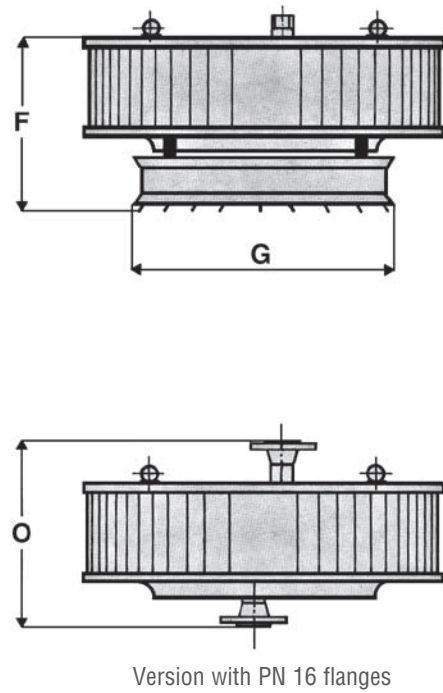
SIZE	1400 r.p.m. MOTOR SPEED		900 r.p.m. MOTOR SPEED	
	H suggested m	ZONE m A B	H suggested m	ZONE m A B
0	3 ÷ 6	15x6 ÷ 10x4	2.5 ÷ 5	13x5 ÷ 9x4
1	3 ÷ 6	16x7 ÷ 10x5	2.5 ÷ 5	14x6 ÷ 10x4
2	3.5 ÷ 7	18x8 ÷ 14x5	3 ÷ 6	16x7 ÷ 10x4
3	3.5 ÷ 8	20x10 ÷ 14x6	3 ÷ 6.5	17x8 ÷ 13x5
4	4 ÷ 9	22x10 ÷ 15x7	3.5 ÷ 7	20x10 ÷ 15x5
5	-	-	4 ÷ 8	22x10 ÷ 16x5
6	-	-	4 ÷ 10	24x10 - 18x6
7	-	-	4 ÷ 11	24x11 - 20x8
8	-	-	6 ÷ 15	26x12 - 22x10
9	-	-	6 ÷ 15	26x12 - 22x10

# Dimensions, Weight, Water content

## DRA



## T2



Version with PN 16 flanges

SIZE	A	B	C	C1	F	G	O	P	Q	R	S	Ø	DN	WEIGHT Kg	WATER CONTENT Liters
0	680	180	430	560	380	560	331	612	62	350	350	1 ¼"	25	31	1,20
1	780	180	430	560	380	560	331	702	62	421	421	1 ¼"	25	36	1,30
2	780	280	530	660	480	560	431	702	62	421	421	1 ¼"	25	42	1,90
3	880	280	530	700	480	660	435	802	68	491	491	1 ½"	32	52	2,40
4	880	380	630	760	580	660	535	802	68	491	491	1 ½"	32	58	3,20
5	1080	380	630	870	580	760	539	1005	80	755	440	2"	40	75	4,30
6	1080	455	705	945	655	760	614	1005	80	755	440	2"	40	85	5,20
7	1080	555	805	1045	755	760	714	1005	80	755	440	2"	40	95	5,90
8	1080	555	815	1055	765	760	714	1005	80	755	440	2"	40	97	5,90
9	1080	605	865	1105	815	760	765	1005	80	755	440	2"	40	106	6,50

The units with steam coils are supplied with connections for welding; on request they can be supplied with flanges.

# COMFORT TECHNICAL SPECIFICATIONS

WATER TEMPERATURE 85-75°C  
Drop 10°C - Entering air temperature 15°C

SIZE	MOTOR SPEED	MODEL REF.	AIR FLOW	NOISE LEVEL AT 5 m.	EMISSION	LEAVING AIR TEMPERATURE
	r.p.m.		m <sup>3</sup> /h	dB(A)	W	°C
<b>0</b>	1400	4Z-007	3.000	56	24.400	39
<b>1</b>	1400	4Z-107	3.400	60	28.400	39
<b>2</b>	1400	4Z-211	5.100	63	41.800	39
<b>3</b>	1400	4Z-311	6.000	65	48.800	39
<b>4</b>	1400	4Z-415	7.800	66	64.400	39
<b>0</b>	900	6Z-007	2.000	48	19.100	43
<b>1</b>	900	6Z-107	2.400	52	22.100	42
<b>2</b>	900	6Z-211	3.700	54	32.700	41
<b>3</b>	900	6Z-311	4.400	55	38.000	40
<b>4</b>	900	6Z-415	5.700	56	50.200	41
<b>5</b>	900	6Z-515	7.100	63	61.500	40
<b>6</b>	900	6Z-618	9.000	64	77.800	40
<b>7</b>	900	6Z-722	9.900	65	92.000	42
<b>8</b>	900	6Z-822	11.000	65	107.000	44
<b>9</b>	900	6Z-924	12.000	66	115.100	44

Thermal emission with motor running at 700 r.p.m.:  
Watt = 0.85 x Watt with motor at 900 r.p.m.  
Air = 0.70 x air flow with motor at 900 r.p.m.

**On request:** double speed motor, single tension,  
double wiring, 1400/900 r.p.m. or 900/700 r.p.m.

The descriptions and illustrations provided in this publication are not binding: Sabiana reserves the right, whilst maintaining the essential characteristics of the types described and illustrated, to make, at any time, without the requirement to promptly update this piece of literature, any changes that it considers useful for the purpose of improvement or for any other manufacturing or commercial requirements.



**SABIANA**  
IL CLIMA AMICO

A leading brand of  **AFG**

Sabiana s.p.a. • via Piaue, 53 • 20011 Corbetta • Milano • Italy

phone +39.02.97203.1 r.a. / +39.02.97270429 / +39.02.97270576

fax +39.02.9777282 / +39.02.9772820

[www.sabiana.it](http://www.sabiana.it) • [info@sabiana.it](mailto:info@sabiana.it)

CO-LT-EN-07-14